

GENERAL NOTES:
 1. ONLY GENERATOR #1 SHOWN, GENERATOR #2 SIMILAR

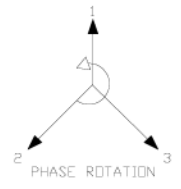
R.W. MATTHEWS DAM Lower West Side Road Mad River, CA	DATE:	05/08/2018	REV. NO.:	1	DATE:	6/21/2018
	APPROVED BY:	M.W.	DATE:	6/21/2018	BY:	xx/xx/xxxx
RELAY THREELINE DIAGRAM 4.16KV SWITCHGEAR	PROJECT NO.:	1028255	DATE:	xx/xx/xxxx	BY:	xx/xx/xxxx
	REVISION:	TL-01	DATE:	xx/xx/xxxx	BY:	xx/xx/xxxx

PRELIMINARY DRAWING
NOT FOR CONSTRUCTION

ELECTRICAL RELIABILITY SERVICES
 4099 SE INTERNATIONAL WAY
 SUITE 201 PORTLAND OR 97222

PG&E 12 KV
OVERHEAD FEEDER
3 C.T. POLE MOUNTED
METERING

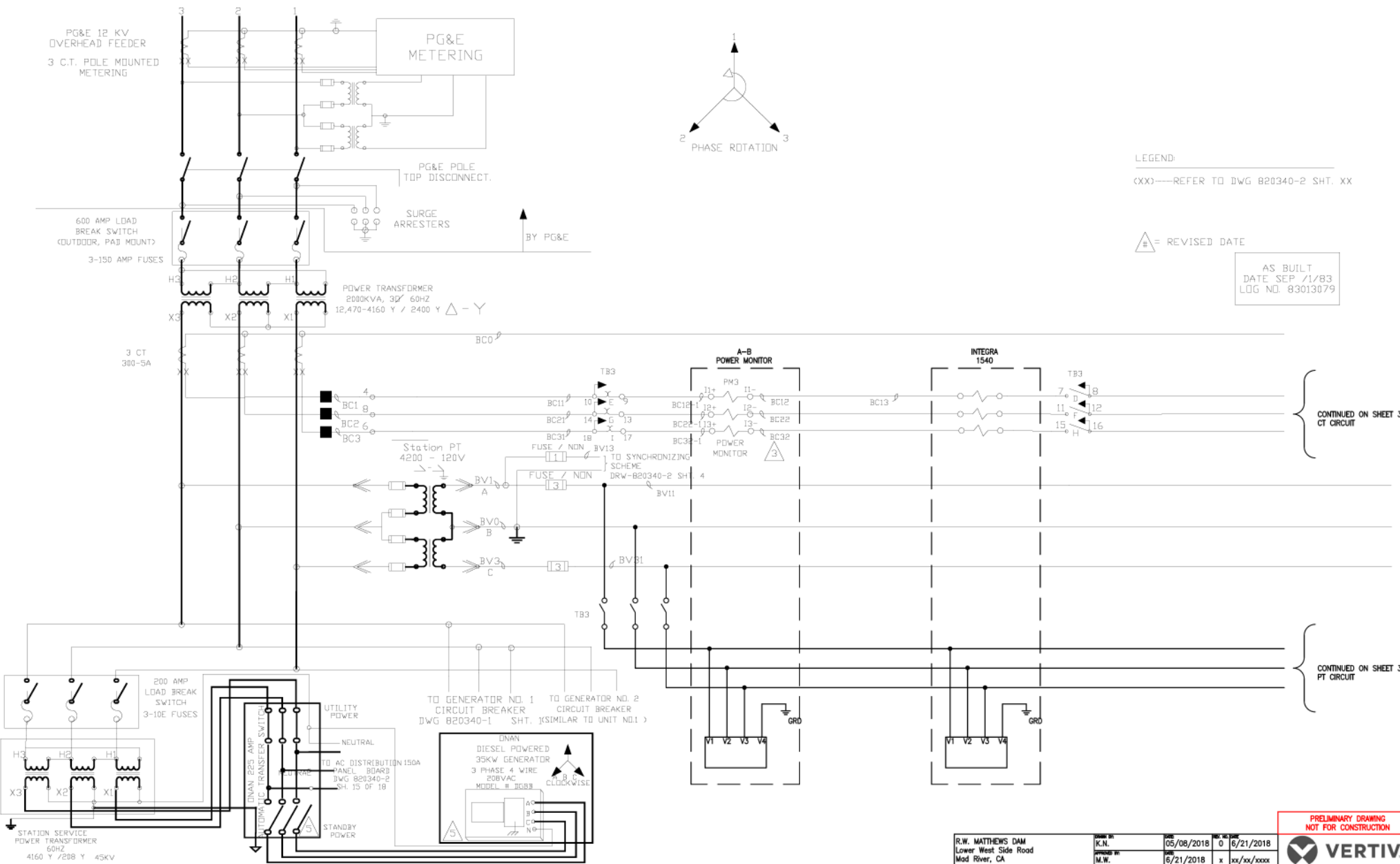
PG&E
METERING



LEGEND
(XX)---REFER TO DWG B20340-2 SHT. XX

△ = REVISED DATE

AS BUILT
DATE SEP /1/83
LOG NO. 83013079

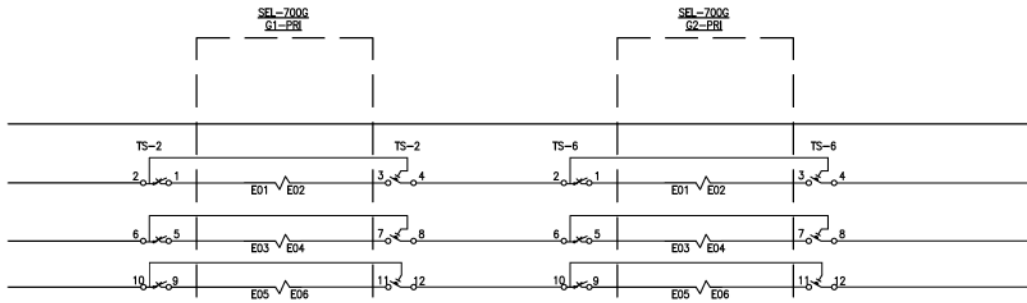


R.W. MATTHEWS DAM Lower West Side Road Mad River, CA	DESIGN BY	K.N.	DATE	05/08/2018	REV. NO.	0	DATE	6/21/2018
	APPROVED BY	M.W.	DATE	6/21/2018	REV. NO.	x	DATE	xx/xx/xxxx
	DWG NO.	1028255	REV. NO.	x	DATE	xx/xx/xxxx		
	PROJECT NO.	TL-02	REV. NO.	x	DATE	xx/xx/xxxx		

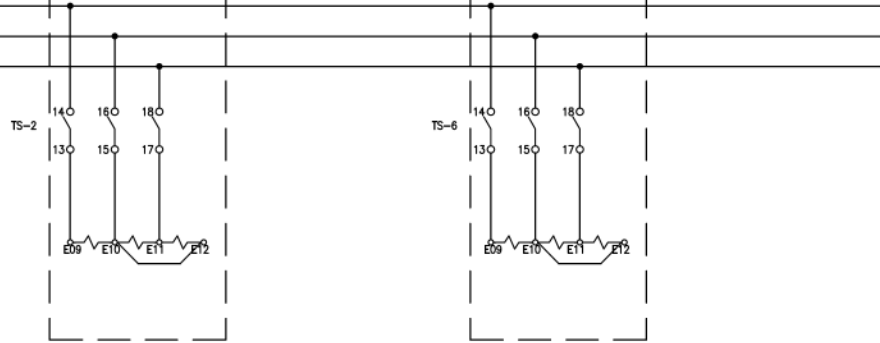
PRELIMINARY DRAWING
NOT FOR CONSTRUCTION

VERTIV
ELECTRICAL RELIABILITY SERVICES
4099 SE INTERNATIONAL WAY
SUITE 201 PORTLAND OR 97222

CONTINUED FROM SHEET 3
CT CIRCUIT



CONTINUED FROM SHEET 3
PT CIRCUIT



PRELIMINARY DRAWING
NOT FOR CONSTRUCTION

R.W. MATTHEWS DAM Lower West Side Road Mod River, CA	DATE:	6/21/2018	REV. NO.:	1	DATE:	6/21/2018
	DESIGNED BY:	K.N.	CHECKED BY:	M.W.	DATE:	6/21/2018
	PROJECT NO.:	1028255	DATE:	TL-03	DATE:	xx/xx/xxxx
RELAY THREELINE DIAGRAM 4.16KV SWITCHGEAR						

VERTIV
ELECTRICAL RELIABILITY SERVICES
4099 SE INTERNATIONAL WAY
SUITE 201 PORTLAND OR 97222