

8 7 6 5 4 3 2 1

H

G

F

E

D

C

B

H

G

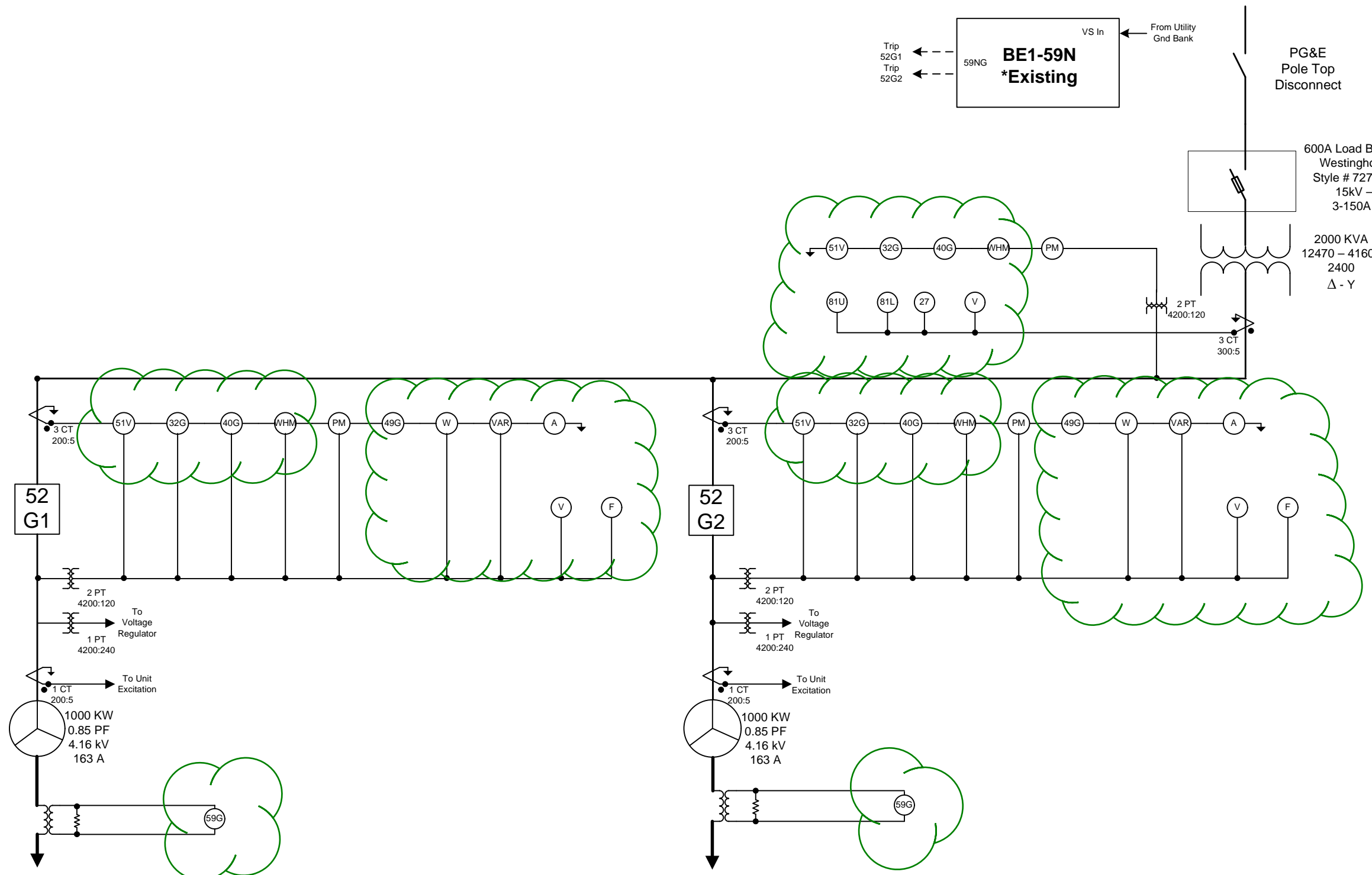
F

E

D

C

B



REVISIONS

REV	DESCRIPTION	DATE	APPROVED

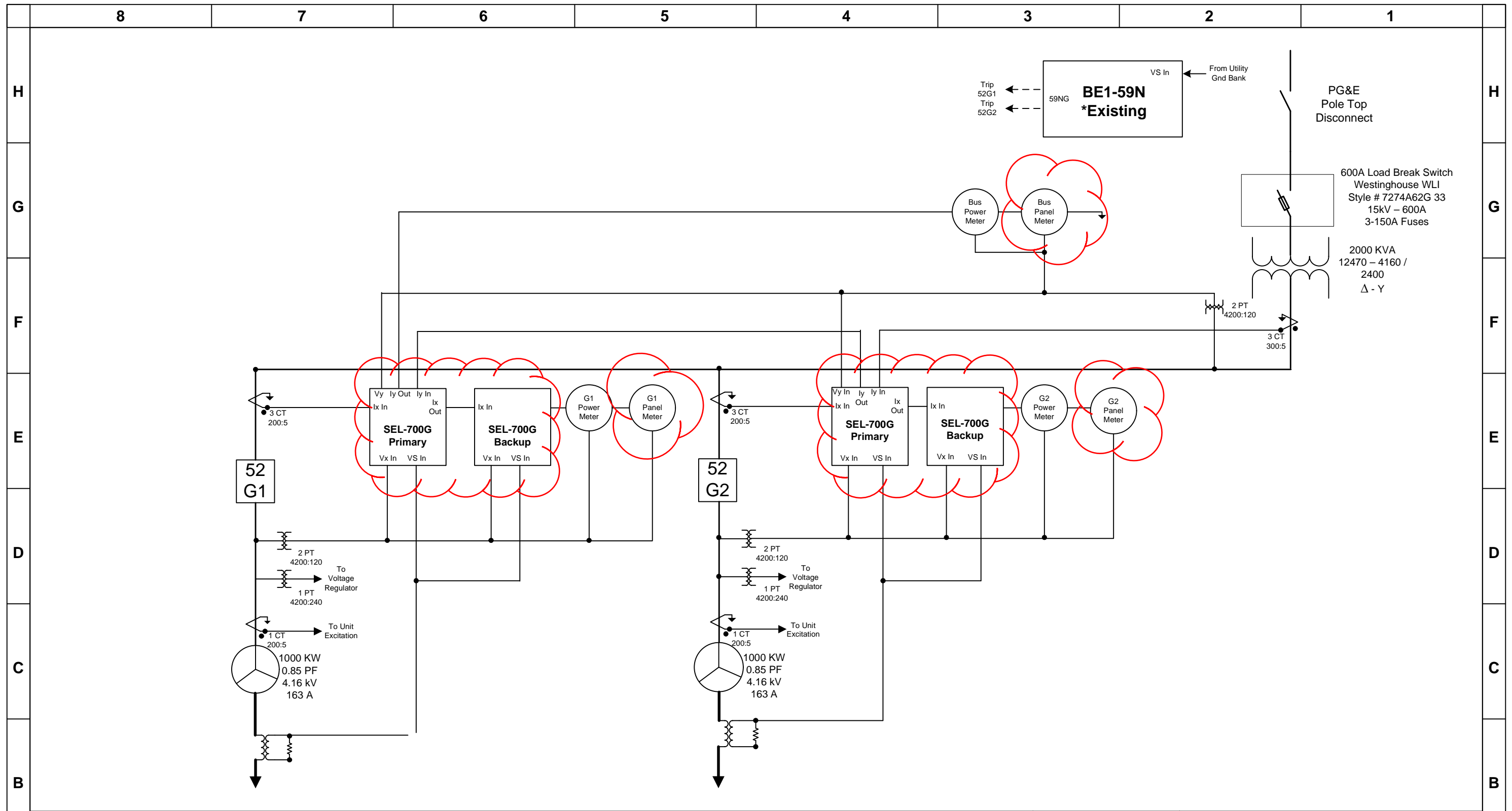


RUTH LAKE HYDRO

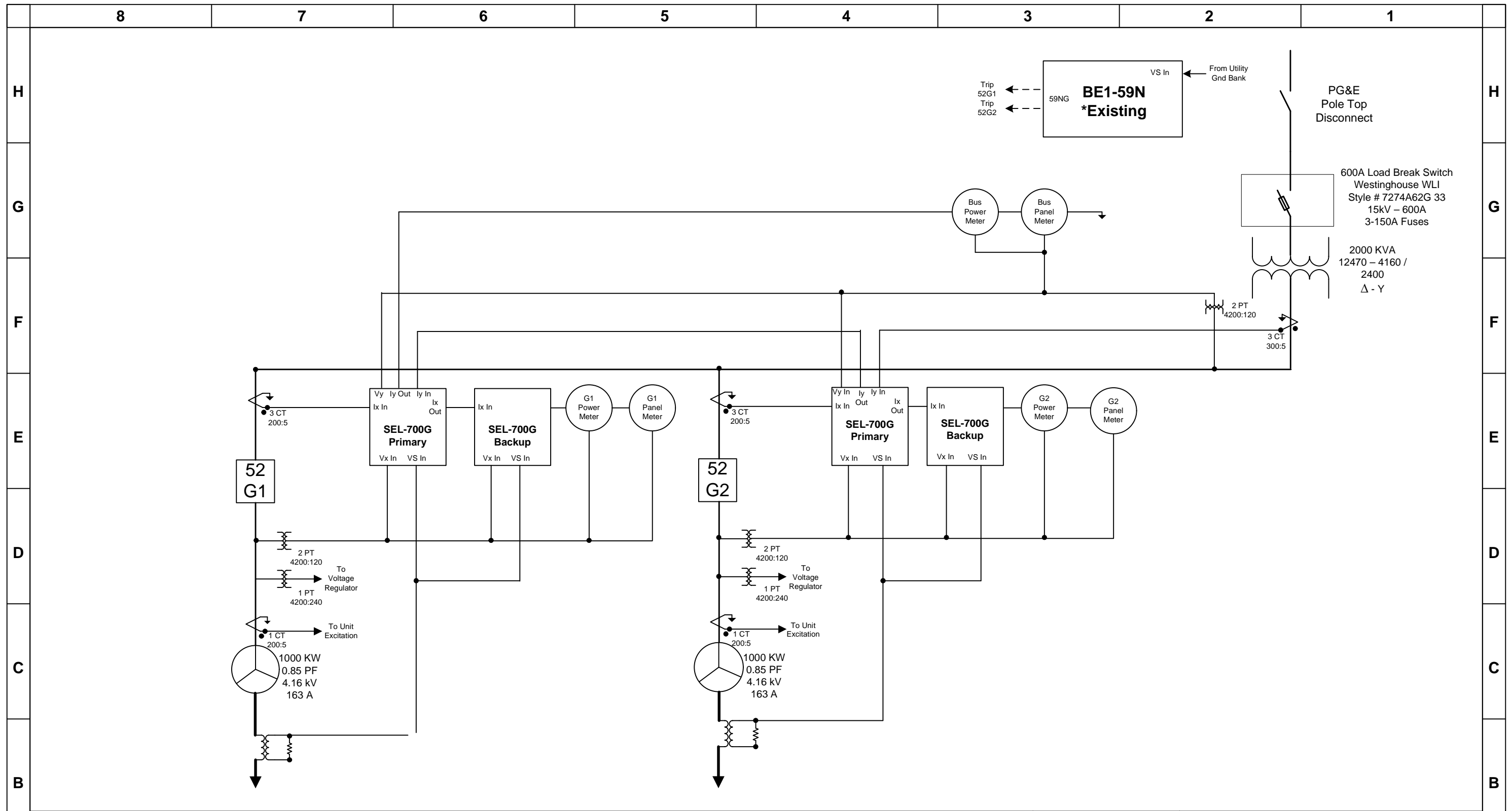
Single Line Demo

10606 Bloomfield Ave	SIZE B	ERS Job Number 1028255	DWG NO	REV 1
Santa Fe Springs, CA 90670	SCALE 1:1	SHEET 1 OF 1		

8 7 6 5 4 3 2 1



REVISIONS					RUTH LAKE HYDRO				
REV	DESCRIPTION	DATE	APPROVED	Single Line					
				VERTIV™					
				Electrical Reliability Services Protection and Control					
				10606 Bloomfield Ave		SIZE B	ERS Job Number 1028255	DWG NO	REV 1
				Santa Fe Springs, CA 90670		SCALE 1:1	SHEET 1 OF 1		



REVISIONS

REV	DESCRIPTION	DATE	APPROVED

VERTIV
 Electrical Reliability Services
 Protection and Control
 10606 Bloomfield Ave
 Santa Fe Springs, CA 90670

RUTH LAKE HYDRO
 Single Line

SIZE B	ERS Job Number 1028255	DWG NO	REV 1
SCALE 1:1		SHEET 1 OF 1	